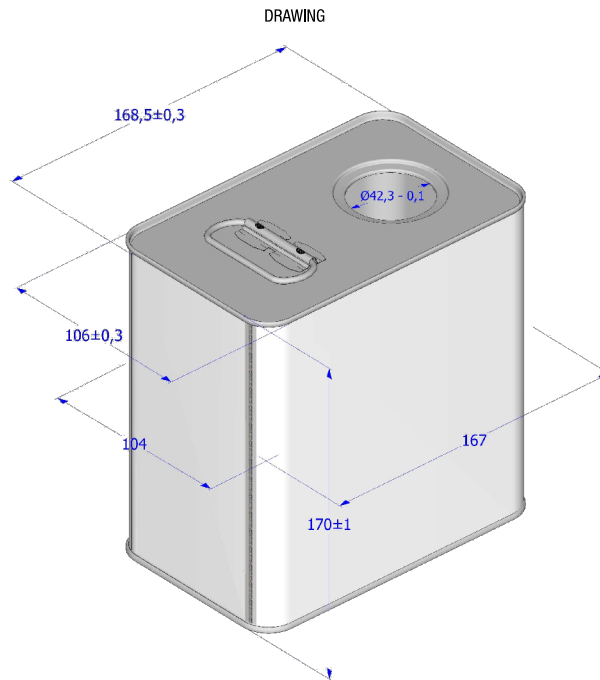


FF082 Oblong Canister 102x167 HEIGHT. 170 Nominal capacity 2,5 Lt.

FEATURES

NOM. DIAM.	102X167	HEIGHT	170	PRESS. TEST	0.2 bar	DESIGN N°	TAN1021704201
DATA							
CUSTOMER N°	-	COD.ART.CLI.	-	-	-	DATE	30/03/2018
CUSTOMER							



TECHNICAL MEASURES AND ACCESSORIES

SPOUT OPENING	DIN 42 Stepped d.42.3 + 0 / -0.1 Small	SPOUT OPENING POSITION	Customized As per Drawing
HANDLE	Galvanized Iron handle	HANDLE POSITION	Customized As per Drawing
WELDING	Longitudinal electric.	WELDING POSITION	Hole side or side opposite to the hole on request
RIBS	-	RIBS POSITION	-

ASSEMBLY

Top COVER

First choice electrolytic tinplate in compliance with DIN EN 10202, thickness 0.24 mm. Cold molding with an injection of an ammonia dispersion of synthetic rubber with DIN 42 stepped hole and galvanized iron handle. Internal lithograph: Raw. External lithography: multicolored prints on request. Assembled to the body with double interlocking

CAN'S BODY

First choice electrolytic tinplate in compliance with DIN EN 10202, thickness 0.22 mm. Longitudinal electric welding.
Internal lithography: None.
External lithography: multicolored lithography prints on request.

BOTTOM OF THE CAN

First choice electrolytic tinplate in compliance with DIN EN 10202, thickness 0.24 mm. Cold molding with an injection of a synthetic rubber ammonia dispersion.
Internal lithograph: None.
External lithography: multicolored prints on request. Assembled to the body with double interlocking


PALLETIZATION:

Pallet MM.1120X1420 rows 10x8, No. 7 shelves, Total 560 pcs.+ Stretch film. to Minimize Dust.
Pallet MM.1120X1420, rows 10x8, N. 6 shelves, Total 480 pcs. H.max 2520 mm. + Stretch film. to Minimize Dust.

Minimal Order Quantity (MOQ): 1 pallet

FEATURES AND TESTS:

Theoretical capacity 2.6 Lt. Nominal capacity 2.5 Lt.
In-line airtightness check of all containers with 0.2 bar tester and, on a sample basis, technical check of the seam. Random tests for watertightness in water and tear tests on the weld bead to check its resistance.

APPROVAL:  3A1/Y 1,4/120/20/F/FA/LRM AE06